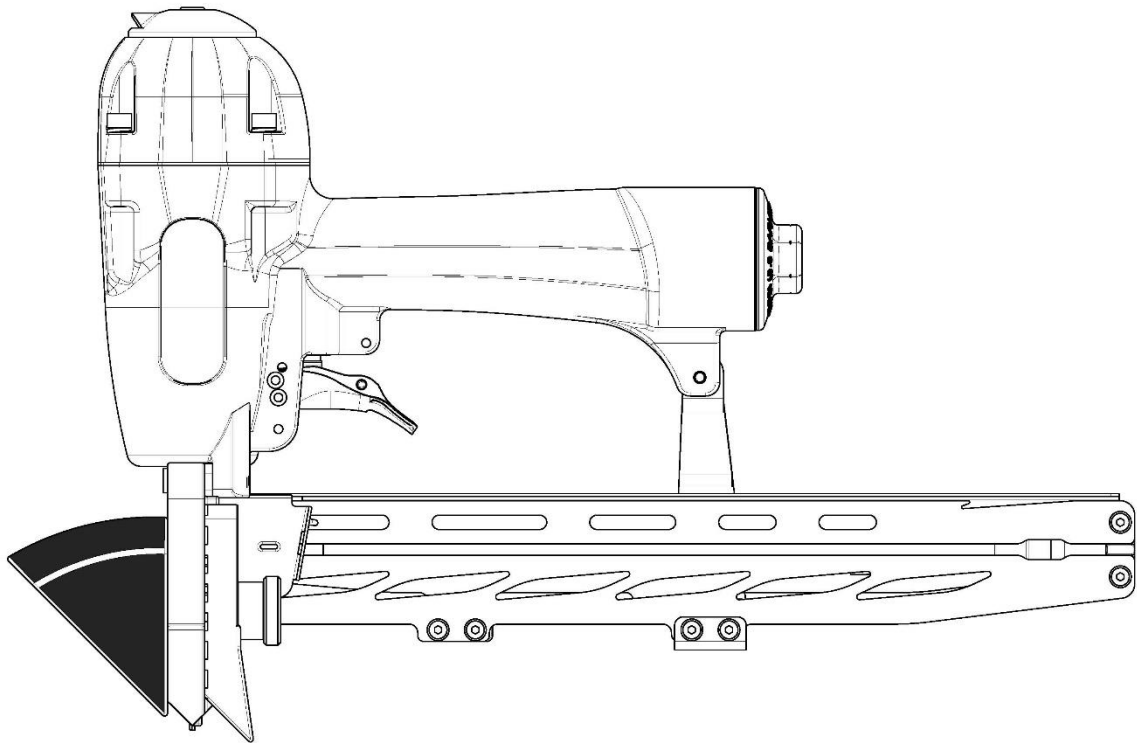
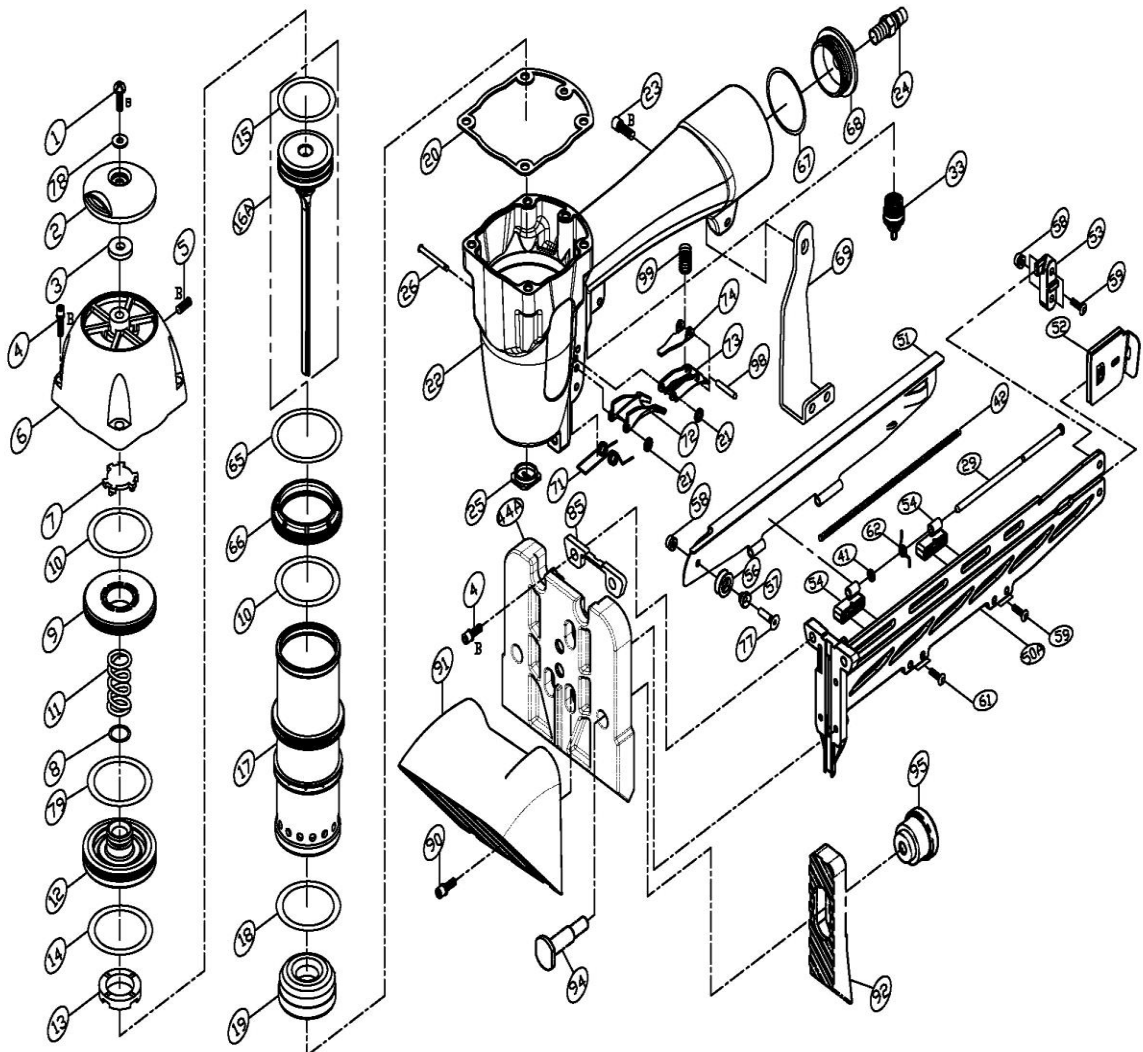


# Flooring Pro Fastenings®



MODEL: EFS-4800



\*R: APPLY LOCTITE 271  
\*B: APPLY LOCTITE 242

L35450 08/16/2016

Contact us at [sales@fpfastening.com](mailto:sales@fpfastening.com)

PO BOX 971

Lincolnton, NC 28093